



**P.L. LIGHT SYSTEMS**

THE LIGHTING KNOWLEDGE COMPANY



FIXTURE	HSE NXT-LP
Project	
Notes	



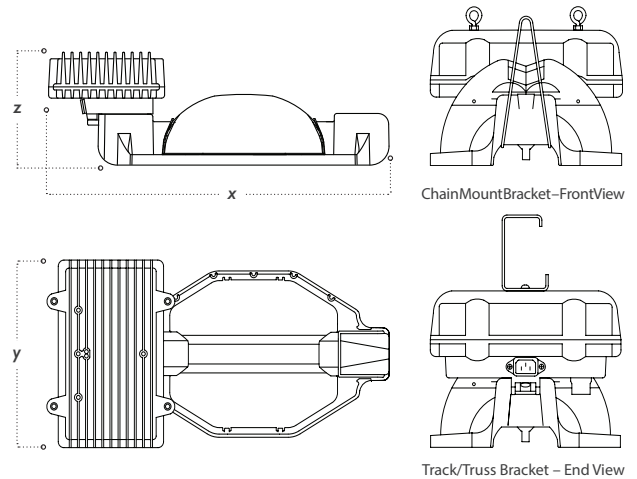
TECHNICAL SPECIFICATIONS†		1000W			
RATED MAIN VOLTAGE	208V	240V	277V	347V	
Input Current	5.10A	4.42A	3.77A	3.01A	
Power Factor	>0.98				
Input Frequency	50/60Hz				
Actual Input Power	1,060W	1,060W	1,045W	1,045W	
Lamp Type	HPS / MH	1,000W	400V Electronic		

†Accurate to ± 10%

DIMENSIONS		
	Alpha/Beta	Asymmetric
x = length	21.25 in. (53.98 cm)	22.75 in. (57.79 cm)
y = width	11.00 in. (27.94 cm)	14.00 in. (35.56 cm)
z = height	7.50 in. (19.05 cm)	9.00 in. (22.86 cm)
weight	10.00 lb. (4.54 kg)	10.69 lb (4.85 kg)

TECHNICAL SPECIFICATIONS†		600W				
RATED MAIN VOLTAGE	120V	208V	240V	277V	347V	
Input Current	5.50A	3.04A	2.65A	2.29A	1.84A	
Power Factor	>0.98					
Input Frequency	50/60Hz					
Actual Input Power	660W	660W	660W	630W	630W	
Lamp Type	HPS 600W 400V Electronic					

†Accurate to ± 10%



SPECIFICATION						
1. FIXTURE	2. FIXTURE WATTAGE	3. VOLTAGE	4. LIGHT SOURCE	5. REFLECTOR	6. CORD / PLUG	7. MOUNTING
NXT-LP	600 Watts	120V <sup>†</sup>	600W USHIO HPS DBL	Alpha	Consult Factory	Std Track/Truss Bracket Custom Track/Truss Bracket NXT-LP Chain Mount Kit*
NXT-LP RST	1000 Watts	208V 240V 277V 347V	1000W Philips HPS DBL 1000W USHIO HPS DBL 1000W USHIO MH DBL <sup>††</sup>	Beta Asymmetric		
		<sup>†</sup> 600W version only	<sup>††</sup> non-dimmable applications only	*NXT-LP Chain Mount Kit includes: • 1 x wire bracket      • 2 x s-hooks • 2 x eye bolts        • 2 x nuts		

Warranty Terms: Fixtures warranted for three (3) years; electronic drivers three (3) years; HPS Lamps : four (4) years or 10,000 burning hours / MH Lamps: one (1) year or 6,000 burning hours, whichever comes first.